



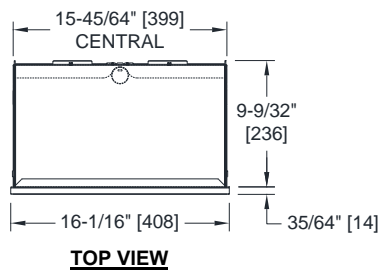
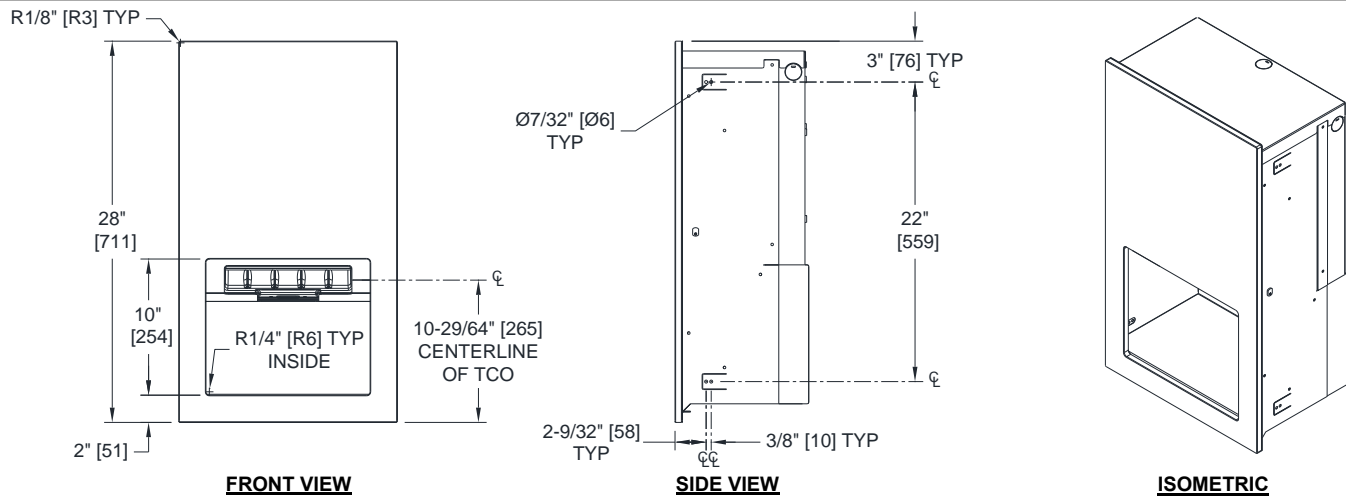
**AMERICAN SPECIALTIES, INC.**  
 441 Saw Mill River Road, Yonkers, NY 10701  
 (914) 476.9000 • (914) 476.0688  
 www.americanspecialties.com

**MODEL №:** 645210A-XX

**ISSUED:** 20 DEC 2018

**REVISED:** 18 JUN 2021

## PIATTO™ COLLECTION AUTOMATIC PAPER TOWEL DISPENSER



### NOTE

ALL DIM'S INCH [MM]

ILLUSTRATION FOR REF ONLY AND NTS

FOR CLEANING INSTRUCTIONS SEE APPROPRIATE SECTIONS IN PRODUCT CARE & MAINTENANCE BULLETIN (PCM) ON ASI WEBSITE

### SPECIFICATION

Piatto™ Collection Automatic Paper Towel Dispenser shall hold and dispense one 8" wide [203] x 8" Dia. [Ø203] x standard towel roll up to 800 ft. (244m) long and one 8" wide [203] stub roll up to 4" Dia. [Ø102] and shall automatically change over to main roll when finished with stub roll when feed tabs are properly engaged. Automatic Touchless Roll Towel Dispenser shall be powered by four (4) D-size batteries (not supplied) and shall operate automatically to activate towel dispensing when hands are placed in sensor zone from 1/2" [13] below sensor to 4-1/2" [114] below sensor. At each activation unit shall feed out a length of towel selected by owner by setting length, delay and paper saver switches. Unit shall have an internal towel cut-off bar. Towel dispensing opening shall have a fully deburred edge for snag free dispensing and user safety. Frame and cabinet shall be 20 gage type 304 alloy 18-8 stainless steel and shall have no exposed fastening devices. Flush face door shall be 1/2" [13] thick black edged Phenolic with matte black (Formica 909-58) or white (Formica 949) outer and inner surfaces as chosen by tail code on model number. Door shall be attached to the side of cabinet with two (2) zero-clearance concealed cabinet hinges and shall be held closed with a spring-pin L-latch. Structural assembly of all components shall be of welded construction. Door, latch and hinges shall be attached with concealed Philips head screws. OM & IG shall be packed with unit. Installation set-back gage and depth stops shall be provided.

Piatto™ Collection Automatic Paper Towel Dispenser shall be Model № 645210A-XX (Replace -XX with -00 for White or -41 for Matte Black) as manufactured by American Specialties, Inc., 441 Saw Mill River Road, Yonkers, NY 10701-4913

### INSTALLATION

Mount unit in wall recess with face flush to wall surface using four (4) № 10 x 1-1/2" [M5 x 38] Pan Head self-tapping screws (by others) through concealed mounting holes provided in Shim-less adjustable mounting tabs. For compliance with 2010 ADA Accessibility Standards install unit so that towel dispenser chute opening is 48" [1219] Maximum Above Finished Floor (AFF). For general utility mount unit 47-3/8" [1203] AFF to bottom of unit. See OM & IG for complete installation instructions packed with unit.

**Finished Wall Opening (FWO) required is 16-1/8" [410] W x 28-1/16" [713] H x 10" [254] D Min**

### OPERATION

Towels are dispensed one length at a time automatically when hands are placed in sensor zone until supply is depleted. Length of towel dispensed is predetermined by owner by making selections on three (3) three (3)-position switches for length, delay, economy. Unit may be reloaded with a full roll to automatically start when finished with an existing partial roll and will continue to feed properly when reloaded with a full roll and partial roll is transferred to stub roll position. Refill dispenser by opening the door and replacing towel roll for an empty or partially empty unit. Dispenser supply is replenished and batteries are replaced manually on cycles determined by maintenance needs.